

General information:

Company's name

Address

Contact person

Phone no.

Fax no.

e-mail

Industry

Filter press already existing

Existing filter elements

If LENSER filter elements

Filter press producer _____

recessed filter elements

membrane filter elements

mixed pack

plates + frames

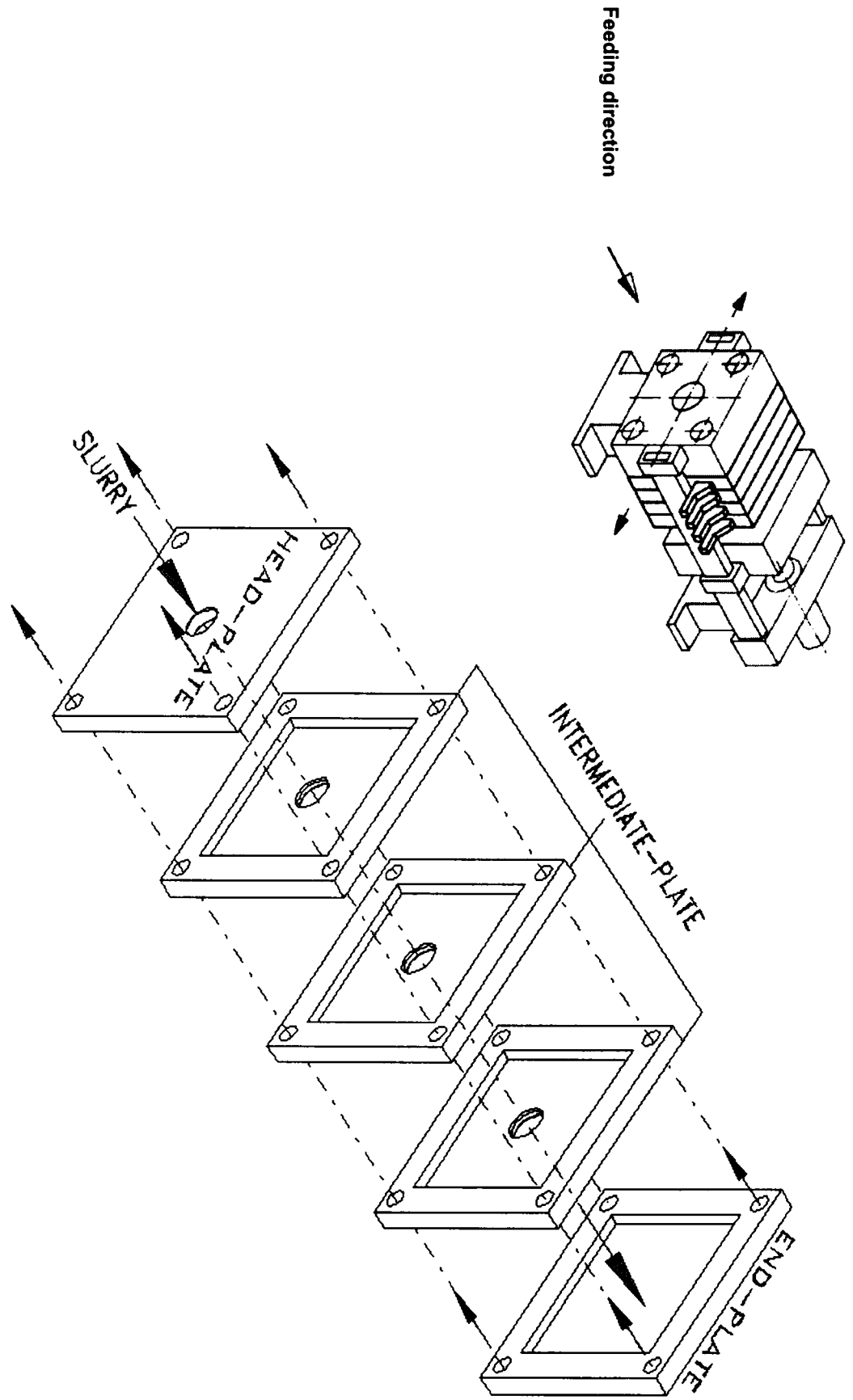
type _____

producer _____

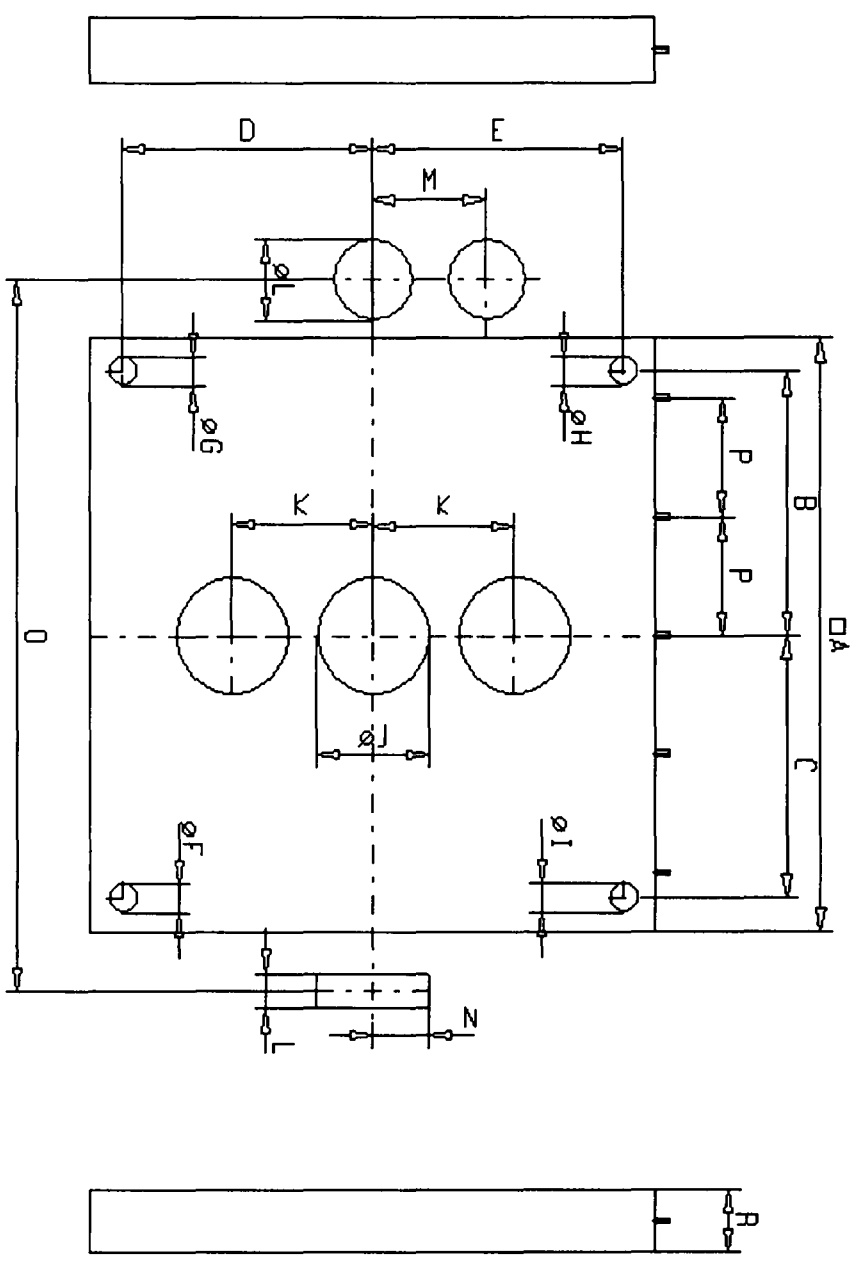
material _____

order no. _____

drawing no. _____



Dimensions required (view in feeding direction)



A		E	ϕI	M				O
B		ϕF	J	P			R	
C		G	K					
D		ϕH	$\phi I/L$					

Filtration process data



Type of slurry:

Chemical composition:

(needed to check the suitability of the required material)

Filtration pressure:

Filtration cycle time:

Squeezing pressure:

Squeezing time:

Filtration temperature:

Cake washing

Wash water temperature

Washing cycle time:

Accessories:

Discharge:

Outlet elbow	<input type="checkbox"/>	For all plates:	<input type="checkbox"/>
2 way spigot	<input type="checkbox"/>	Quantity:	
3-way spigot	<input type="checkbox"/>		

Suspension:

Manual handle	<input type="checkbox"/>	Overhead suspension	<input type="checkbox"/>
Automatic handle	<input type="checkbox"/>	Other	

Distribution ring:

For all plates:	<input type="checkbox"/>	Recessed plates only:	<input type="checkbox"/>
-----------------	--------------------------	-----------------------	--------------------------

Core blow (end plate)	<input type="checkbox"/>	Cloth dogs	<input type="checkbox"/>
-----------------------	--------------------------	------------	--------------------------

Cloth grommets	<input type="checkbox"/>	Clamping rings	<input type="checkbox"/>
----------------	--------------------------	----------------	--------------------------

Connection plate	LENSER standard: 25 mm		<input type="checkbox"/>	Other thickness:	<input type="checkbox"/>	mm
Connection system	<input type="checkbox"/>					

Adaptor plate	<input type="checkbox"/>	(Drawing/Sketch of the head piece of the press necessary)
---------------	--------------------------	---

Blind plate	<input type="checkbox"/>	Thickness	mm
-------------	--------------------------	-----------	----